

DAYTON® SPECIFICATIONS

Dayton® Elite Single Bowl Sink Models DSE12522

GENERAL

Sink is formed of #20 gauge, type 301 series, nickel-bearing stainless steel. Top mount.

DESIGN FEATURES

Bowl Depth: 8-1/16" (205mm)

Rim Height: 5/32" (4mm)

Faucet Deck: Raised

Coved Corners: 4" (102mm) vertical and 3-1/4" (83mm) horizontal radius

Finish: Exposed surfaces are polished to an Elite Satin finish.

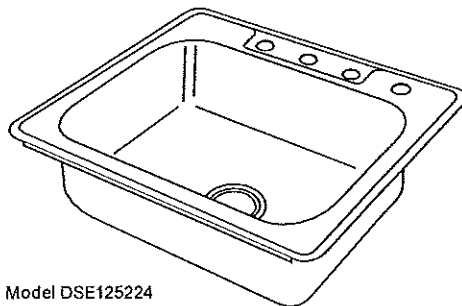
Underside: Fully undercoated.

OTHER

Drain Opening: 3-1/2".

Note: Unless otherwise specified, sink is furnished with 4 faucet holes as shown.

Installation Hardware: Included for 3/4" (19mm) countertop.



Model DSE125224

Sink complies with ASME A112.19.3-2008 / CSA B45.4-08.



These sinks are listed by the International Association of Plumbing and Mechanical Officials as meeting the requirements of the Uniform Plumbing Code and the National Plumbing Code of Canada.



In keeping with our policy of continuing product improvement, Elkay reserves the right to change product specifications without notice.

This specification describes an Elkay product with design, quality and functional benefits to the user. When making a comparison of other producers' offerings, be certain these features are not overlooked.

Elkay
elkayusa.com

2222 Camden Court
Oak Brook, IL 60523

Printed in U.S.A.
©2012 Elkay

(Rev. 8/12) 2-12J

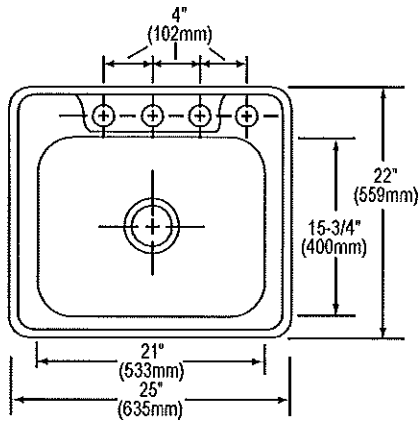
DAYTON® SPECIFICATIONS

Dayton® Elite Single Bowl Sink Models DSE12522 :

SINK DIMENSIONS (INCHES)*

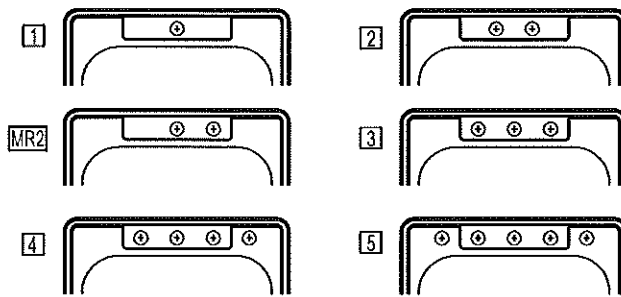
U-Channel Model Number	J-Channel Model Number	Overall		Inside Each Bowl			Cutout In Countertop (1-1/2" (38mm) Radius Corners)		No. of 1-1/2" (38mm) Dia. Faucet Holes 4" (102mm) Center	Minimum Cabinet Size
		L	W	L	W	D	L	W		
DSE12522	DSEJ12522	25 (635mm)	22 (559mm)	21 (533mm)	15-3/4 (400mm)	8-1/16 (206mm)	24-3/8 (619mm)	21-3/8 (543mm)	1, 2, MR2, 3, 4 or 5	30

*Length is left to right. Width is front to back.

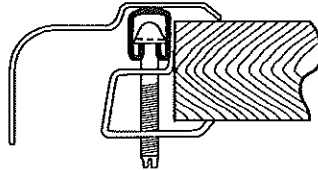


Bowl Depth is 8-1/16" (206mm)

Hole Drilling Configurations 1-1/2" (38mm) Diameter Faucet Holes on 4" (102mm) Centers



U-Channel Type Mounting System



J-Channel Type Mounting System

