

DAYTON[®]

SPECIFICATIONS

Dayton[®] Elite Double Bowl Sink
Models
DSEW23322

GENERAL

Sink is formed of #20 gauge, 300 series, nickel-bearing stainless steel. Top mount.

DESIGN FEATURES

Bowl Depth: 8-1/16" (205mm).

Faucet Deck: Raised.

Coved Corners: 4" (102mm) vertical and 3-1/4" (83mm) horizontal radius.

Finish: Exposed surfaces are polished to an Elite Satin finish.

Underside: Undercoated on bottom of bowl to reduce condensation and dampen sound.

OTHER

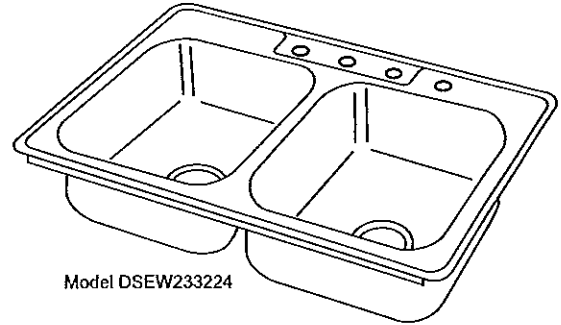
Drain Opening: 3-1/2" (89mm).

Note: Unless otherwise specified, sink is furnished with 4 faucet holes as shown.

Master Pack: Sinks are nested with rim wrappers in quantities of 10 or 40.

Installation Hardware: Included for 3/4" (19mm) countertop.

These sinks comply with ASME A112.19.3-2008 CSA B45.4-08.



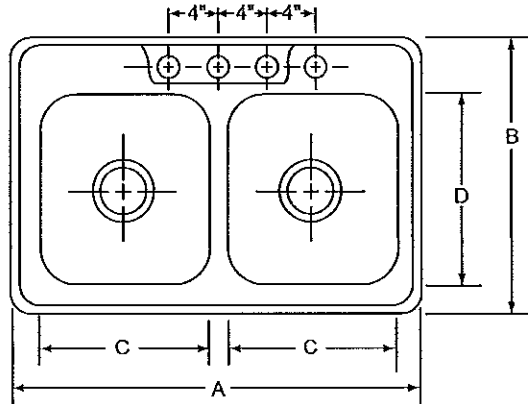
Model DSEW233224



SINK DIMENSIONS (INCHES)*

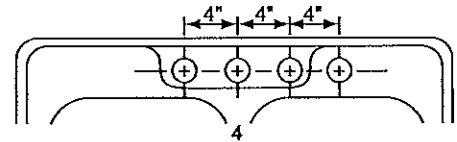
U-Channel Model Number	Overall		Inside Each Bowl			Cutout in Countertop (1-1/2" (38mm) Radius Corners)		No of 1-1/2" (38mm) Faucet Holes*	Minimum Cabinet Size
	L	W	L	W	D	L	W		
	A	B	C	D	E				
DSEW4023322	33 838 (mm)	22 559 (mm)	14 356 (mm)	15 3/4 400 (mm)	8 1/16 205 (mm)	32 3/8 822 (mm)	21 3/8 543 (mm)	4	36 914 (mm)

*Length is left to right. Width is front to back.



E is Bowl Depth

HOLE DRILLING CONFIGURATIONS



In keeping with our policy of continuing product improvement, Elkay reserves the right to change product specifications without notice.

This specification describes an Elkay product with design, quality and functional benefits to the user. When making a comparison of other producers' offerings, be certain these features are not overlooked.

Elkay
elkayusa.com

2222 Camden Court
Oak Brook, IL 60523

Printed in U.S.A.
©2009 Elkay

(Rev. 11/09) 2-67A